

WiFi Interface Sensors

2.4 GHz WiFi network for wireless measurement and monitoring



No limits for router selection

Featuring conventional communication via 2.4GHz IEEE 802.11b/g/n WiFi radio.

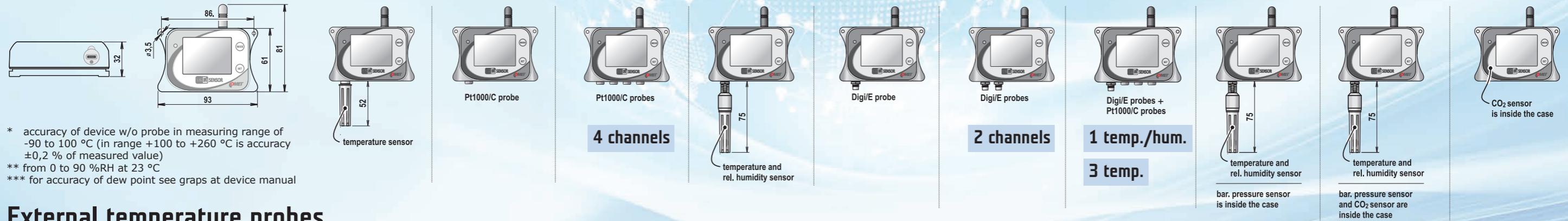
- Accurate measurement of:
 - Temperature
 - Humidity
 - Dew point
 - Atmospheric pressure
 - CO₂
- Supported communication protocols
 - Modbus TCP
 - XML
 - JSON
- Alarm indicators
 - Email notifications
 - LED lights
 - Speaker alerts
- Wireless communication features
- Data processing and storage:
 - In COMET Cloud
 - Using COMET Database software
- Robust and durable design



product catalog



MEASURED VALUES			Temperature			Temperature, relative humidity				Temperature, relative humidity, atm. pressure	Temperature, relative humidity, CO ₂ , atm. Pressure	CO ₂
Sensor model			W0710	W0711	W0741	W3710	W3711	W3721	W3745	W7710	W4710	W5714
temperature	internal	range	-30 to +60°C	-	-	-30 to +60°C	-	-	-	-30 to +60°C	-30 to +60°C	-
		accuracy	±0.4°C	-	-	±0.4°C	-	-	-	±0.4°C	±0.4°C	-
	external	range	-	-90 to +260°C	-90 to +260°C	-	according the probe	according the probe	-90 to +260°C	-	-	-
		accuracy*	-	±0.2°C	±0.2°C	-			±0.2°C	-	-	-
relative humidity		range	-	-	-	0 to 95 % RH	according the probe	according the probe	according the probe	0 to 95 % RH	0 to 95 % RH	-
		accuracy **	-	-	-	±1.8 %RH				±1.8 %RH	±1.8 %RH	-
dew point accuracy		accuracy ***	-	-	-	±1.5 °C	-	-	-	±1.5 °C	±1.5 °C	-
CO ₂		range	-	-	-	-	-	-	-	-	0 to 5000 ppm	0 to 5000 ppm
		accuracy	-	-	-	-	-	-	-	-	±(50ppm+3% MV)	±(50ppm+3% MV)
atm. pressure		range	-	-	-	-	-	-	-	600 to 1100 hPa	600 to 1100 hPa	-
		accuracy	-	-	-	-	-	-	-	±1.3 hPa	±1.3 hPa	-
power supply		connector USB - C	5.0 to 5.4 VDC; consumption 300 mA (max. 500 mA)									
radio section			frequency: 2.4 GHz; max. transmit po wer: 18 dBm; standard: 802.11 b/g/n; contain CC3220MODSF with FCC ID: Z64-CC3220MOD									
IP protection class			IP30									

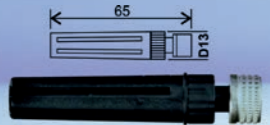


* accuracy of device w/o probe in measuring range of -90 to 100 °C (in range +100 to +260 °C is accuracy ±0,2 % of measured value)
 ** from 0 to 90 %RH at 23 °C
 *** for accuracy of dew point see graphs at device manual

External temperature probes


Temperature probes attached to cables are specifically designed for measuring temperatures in certain applications. These probes are available in lengths of 1, 2, 5, and 10 meters. To ensure high-precision measurements, it is not recommended to use probes that exceed 20 meters in length. Unless otherwise specified, the probes are manufactured to Class A accuracy standards.

Fast, accurate air probe with quick response time, not designed for moisture protection.



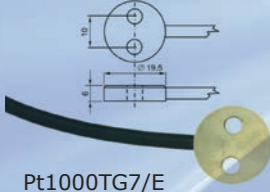
200-80/E, Pt1000 (-30°C to +80°C)

Strap-on probe designed for pipe mounting and flat surfaces, with a protection class of IP65.



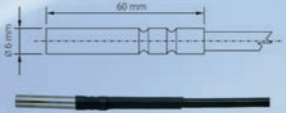
PTS350A/E (-30°C to +130°C)

Brass probe designed for surface temperature measurements, not resistant to moisture.



Pt1000TG7/E (-30°C to +200°C)

Universal, watertight temperature probe with an IP68 rating, ideal for long-term monitoring of temperature in liquids.

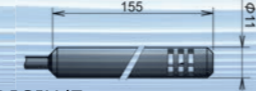


Pt1000TG68/E (-80°C to +200°C)

External temperature/humidity probes

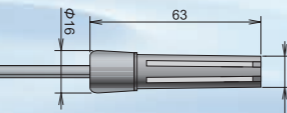
The probe is interchangeable and comes with a calibration certificate. The length of the probe line wire must not exceed 30 meters.

Ultra thin digital probe.



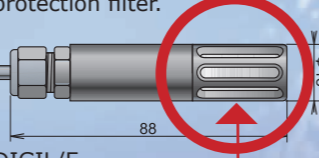
DIGIH/E (-10 to +60 °C; 0 to 100% RH)

Low cost probe without filter mesh.



DIGIS/E (-10 to +60 °C; 0 to 95% RH)


Probe with interchangeable protection filter.




DIGIL/E (-30 to +105 °C; 0 to 100% RH)

Sensor covers for external probes

F5300 - Teflon (PTFE) sensor cover (white color), featuring increased resistance against splashing water, a non-absorbent surface, and rust-free properties. Porous size: 25µm. Temperature range: -40°C to +125°C.



F0000 - Sintered bronze sensor cover for moderately aggressive environments. Filtering ability: 0.025mm.



F5200 (F5200B - black) - Sensor cover with a stainless steel mesh filter. Filtering ability: 0.025mm.



Power supply

The device features a USB Type-C connector for connecting to both a power supply and a computer for communication. The sensor can be powered by a main power supply, a power bank, or a solar panel.

A1879 - Switching power supply 5 V DC. Standard plug type EU, optional UK or US.





Enables device communication with third-party systems



Devices operate using the Modbus TCP protocol version, allowing two Modbus clients to connect simultaneously.



Features a webserver to display values, which also supports HTTPS.



Incorporates the JSON protocol for data transmission to the COMET Cloud or a private server.



Supports alarm emails with encrypted communication (e.g., sending via Gmail SMTP server), including both text and HTML email formats.